

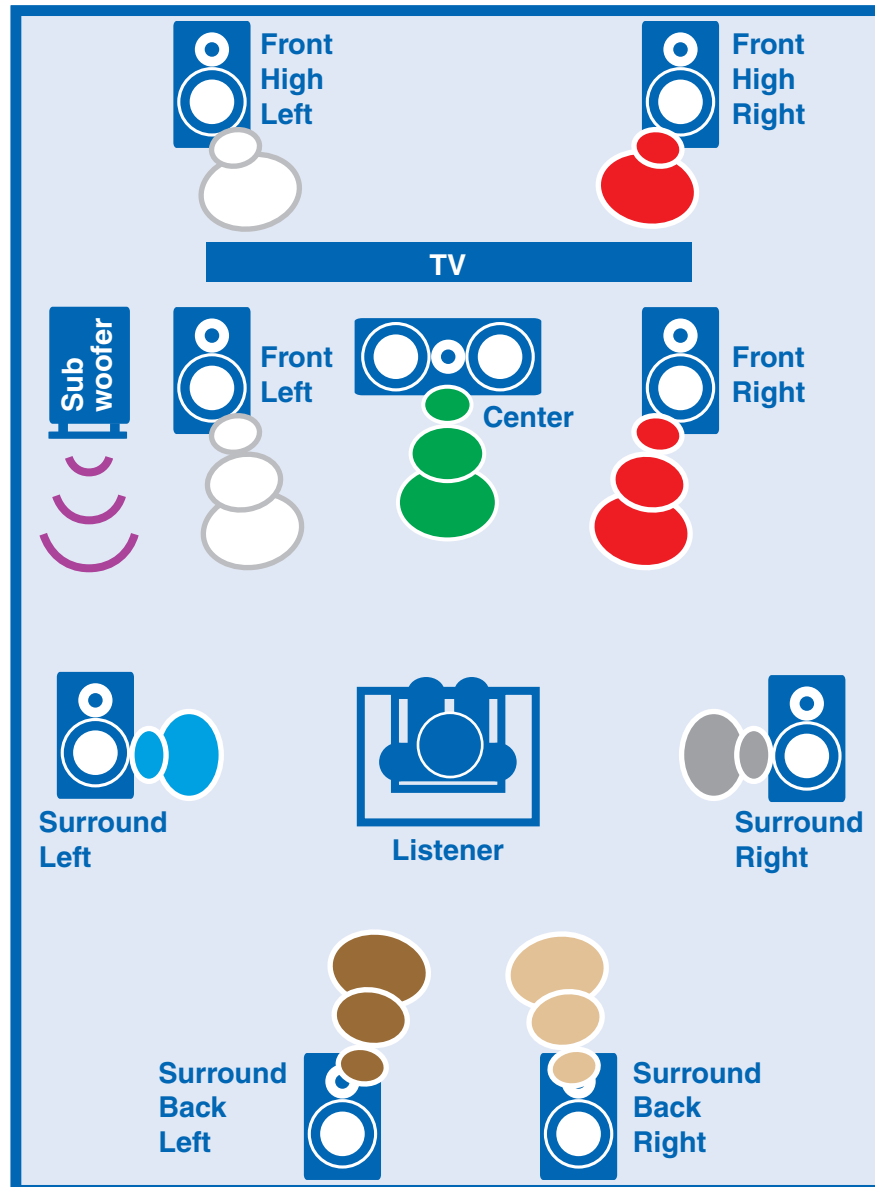
QUICK SETUP

Model : TX-SR577

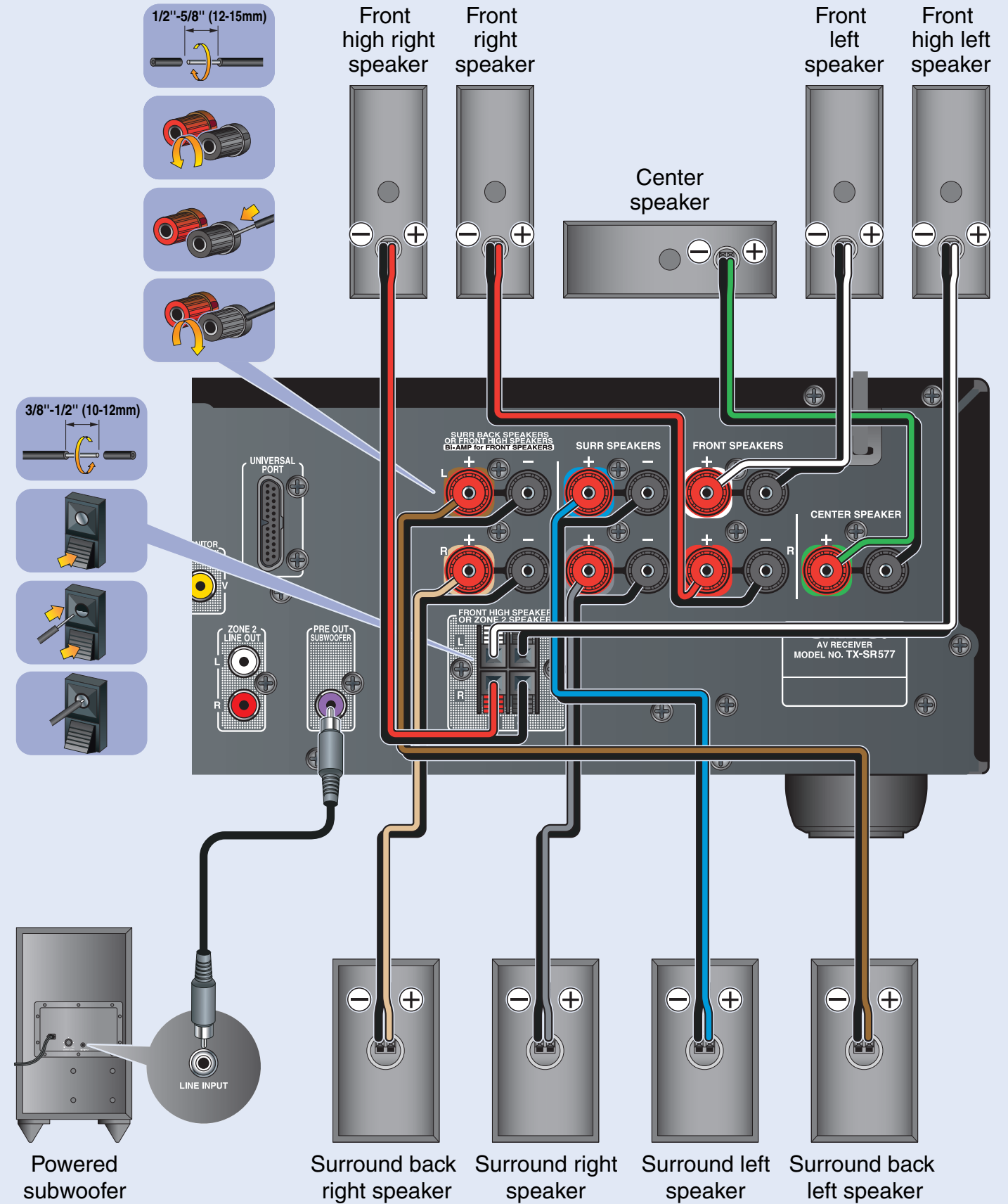


Thank you for purchasing this product.
 This quick setup sheet shows the typical hookup method for connecting speakers and AV components (DVD player, TV, cable/satellite receiver).
 For more detailed hookup information and operating instructions, please see the Instruction Manual.

Speaker Layout (Main Room)



Speaker Hookup



See the other side of this sheet for the AV component hookup.



AV Component Hookup

See the other side of this sheet for the Speaker hookup.

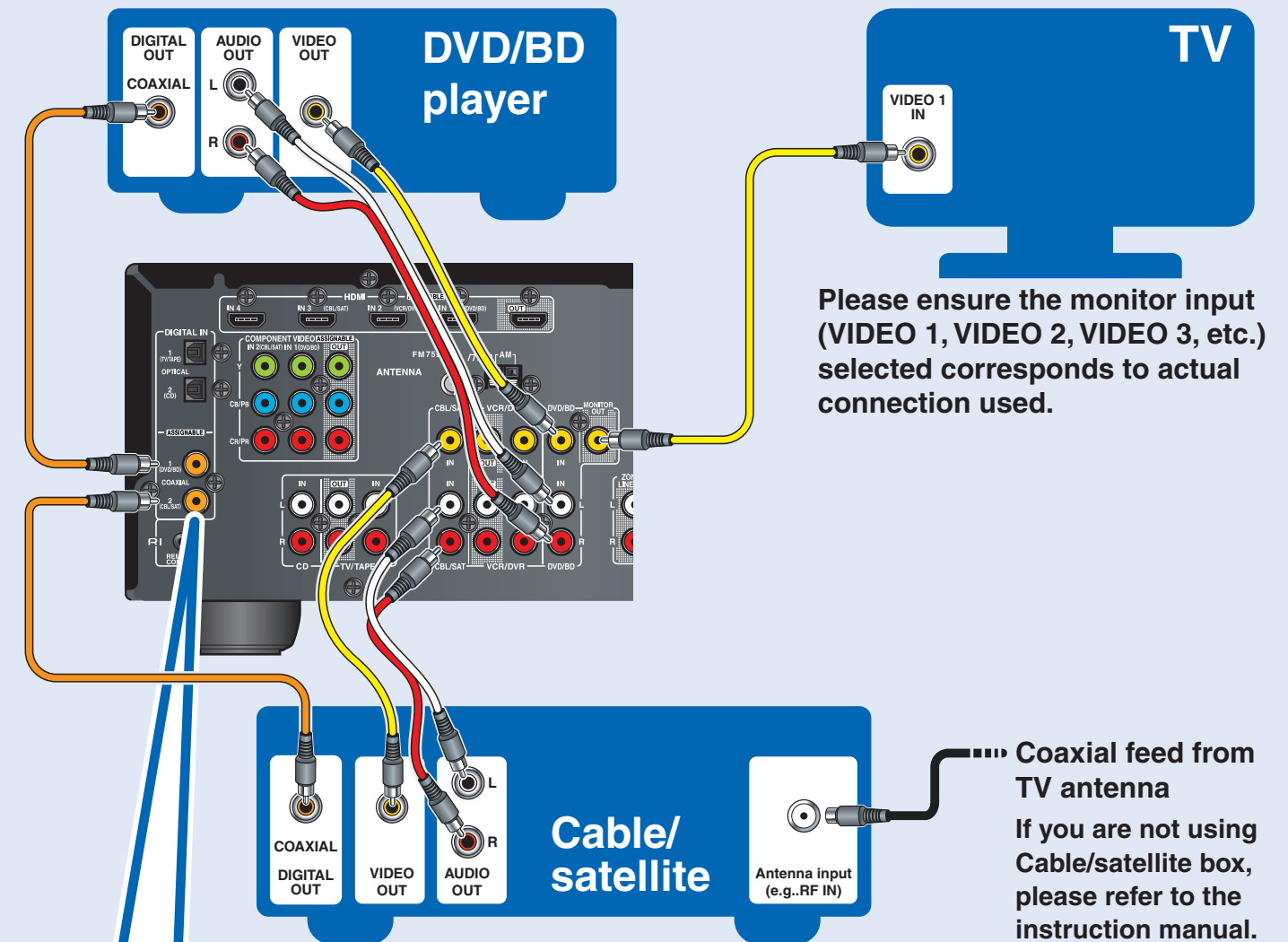
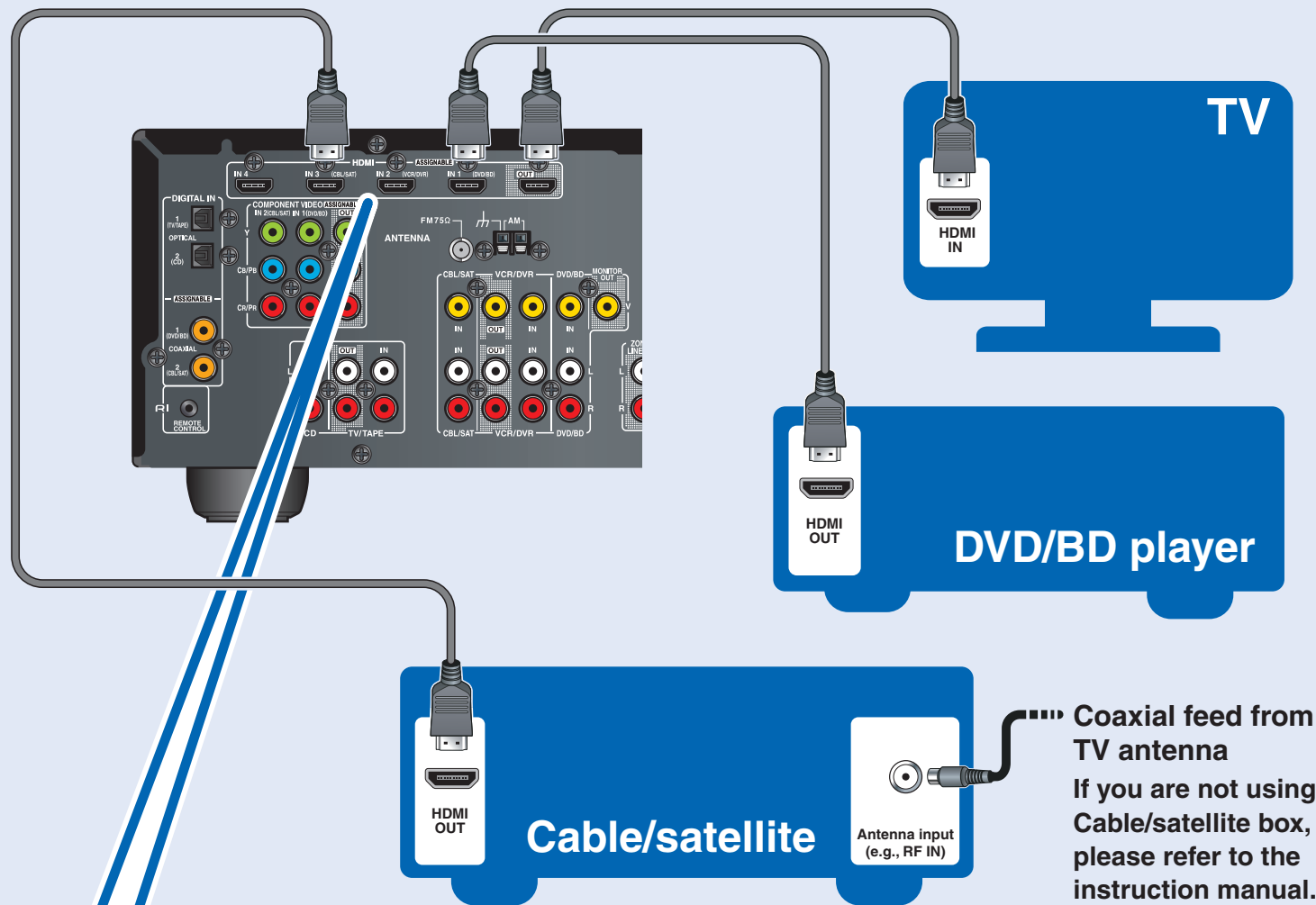


With an HDMI cable you can send both audio and video with a single cable, making connecting simple and keeping wires neat. If you have an HDMI-compatible TV and players, you can connect them to the AV receiver with HDMI cables. Digital audio signals received at HDMI IN input are output by the speakers and headphones connected to the AV receiver.

IF NO HDMI



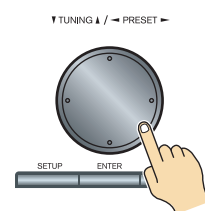
If your TV or player doesn't support HDMI, use the analog or digital connections shown below.



Assigning the HDMI Input

If you connect a video component to an HDMI input, you must assign that HDMI Input to an input selector in Setup. If you make the same connections as shown here, you must assign the "DVD/BD" setting to "HDMI 1", and assign the "CBL/SAT" setting to "HDMI 3".

On the front panel

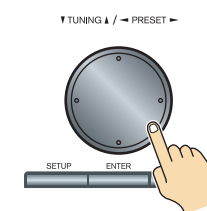


```
1. Input Assign
↓
1-1. HDMI
↓
DVD/BD :HDMI1
```

Assigning the Digital Input

If there's no sound, you'll need to assign the digital inputs as necessary using the setup menus on the AV receiver's display. If you connect your DVD/BD player to the AV receiver's DIGITAL IN COAXIAL 1, and your cable/satellite receiver to the DIGITAL IN COAXIAL 2, as shown, it's not necessary to assign the digital input.

On the front panel



```
1. Input Assign
↓
1-3. Digital
↓
DVD/BD :COAX1
```